

Specification	AXLE20-12	Issue: 04	Date: 2009-09-22
----------------------	------------------	-----------	------------------

Oscillator type : VHF TCXO, low noise in SMD package

Parameter	min.	typ.	max.	Unit	Condition
Frequency range	10		100	MHz	
Standard frequencies	100.000			MHz	Note 3
Frequency stability				ppm	
Initial tolerance		± 2		ppm	@+25°C
vs. temperature (steady state)			± 3	ppm	
Operating temperature range	0		60	°C	
vs. supply voltage variation			± 0.1	ppm	
vs. load change			± 0.1	ppm	
long term (aging) per year			± 1	ppm	@ +40°C
Frequency adjustment range					
Electronic Frequency Control (EFC)	± 5			ppm	
EFC voltage V_C	0.3	1.65	3.0	V	
EFC slope ($\Delta f / \Delta V_C$)	positive				
EFC linearity				%	
EFC input impedance	100			k Ω	
Absolute pull range (APR)				ppm	see Note 2
RF output					
Signal waveform	HCMOS				
Load	10 pF				
Start-up time			4	ms	
Phase noise @ 100 MHz			-135	dBc	@ 10 kHz
Supply voltage V_S	3.15	3.3	3.45	V	
Current consumption (steady state)			25	mA	@ +25°C
Operable temperature range	-10		+70	°C	
Storage temperature range	-40		+85	°C	
Enclosure (see drawing)	19.1x13.1x8.5 max			mm	IEC 61837 CO 30
Weight			5	gram	
Packing	Tape & reel				IEC 60286-3
ESD Sensitivity	1500			V	HBM as IEC 61000-4-2
Handling and Testing	In accordance with AXAN-011				www.axtal.com
Processing	In accordance with AXAN-012				www.axtal.com

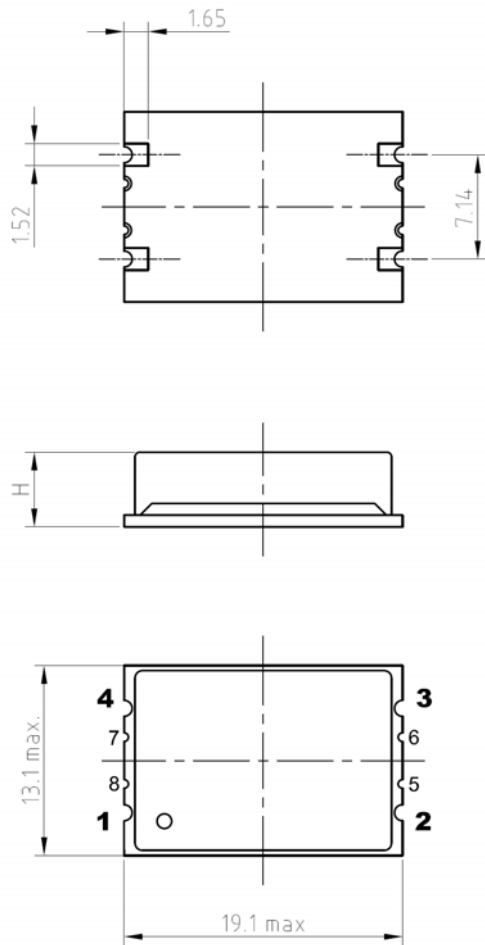
Notes:

1. Terminology and test conditions are according to IEC standard IEC60679-1, unless otherwise stated
2. Overall frequency stability = initial tolerance + temp.stability + supply & load change + aging
3. Other frequencies on request

Ordering Code:

Model (Specification)	Frequency [MHz]
AXLE20-12	100

Enclosure drawing



Pin connections

Pin #	Symbol	Function
1	V _C	Control Voltage (EFC)
2	GND	Ground
3	RF OUT	RF Output
4	V _S	Supply Voltage
5~8	I.C.	Do not connect

Environmental conditions

Test	IEC 60068 Part ...	IEC 60679-1 clause ...	Test conditions
Sealing tests (if applicable)	2-17	4.6.2	Gross leak: Test Qc, Fine leak: Test Qk
Solderability Resistance to soldering heat	2-20 2-58	4.6.3	Test Ta (235 ± 5)°C Method 1 Test Tb Method 1A, 5s
Shock*	2-27	4.6.8	Test Ea, 3 x per axes 100g, 6 ms half-sine pulse
Vibration, sinusoidal*	2-6	4.6.7	Test Fc, 30 min per axes, 10 Hz - 55 Hz 0,75mm; 55 Hz - 2 kHz, 10g
Endurance tests - ageing - extended aging		4.7.1 4.7.2	30 days @ 85°C, OCXO @25°C 1000h, 2000h, 8000h @85°C

Other environmental conditions on request