

Specification	AXIS207	Issue: 02	Date:2009-09-22
----------------------	----------------	-----------	-----------------

Oscillator type : VCXO in DIL14 package

Parameter	min.	typ.	max.	Unit	Condition
Frequency range	6		190	MHz	Sine wave HCMOS, PECL, LVDS
	1		800	MHz	
Frequency stability				ppm	
vs. temperature	± 10 ppm to ± 100 ppm			ppm	See tables 1 & 2
vs. supply voltage variation				ppm	
vs. load change				ppm	± 10 %
long term (aging) per year			± 3	ppm	@+40°C
Frequency adjustment range					
Electronic Frequency Control (EFC)	± 50			ppm	Option 5 = "5"
	± 100			ppm	Option 5 = "10"
	± 150			ppm	Option 5 = "15"
EFC voltage V_C	0.15	1.65	3.15	V	Option 1 = "3"
	0	2.5	5	V	Option 1 = "5"
EFC slope ($\Delta f / \Delta V_C$)	Positive negative				Option 6 = blank Option 6 = "N" (Note 4)
EFC input impedance	100			k Ω	
RF output					
Signal waveform	Sine wave HCMOS PECL LVDS				Option 2 = "S" Option 2 = "H" Option 2 = "P" Option 2 = "L"
Load	50 Ω 15 pF 50 Ω + bias				Option 2 = "S" Option 2 = "H" Option 2 = "P" or "L"
Amplitude	0			dBm	Option 2 = "S" / 3.3 V
	+10			dBm	Option 2 = "S" / 5.0 V
	According to relevant Logic Standard				Option 2 = "H", "P", "L"
Supply voltage V_S	3.15	3.3	3.45	V	Option 1 = "3"
	4.75	5.0	5.25	V	Option 1 = "5"
Current consumption (Note 3)	15 ~ 70			mA	Option 2 = "S"
	15 ~ 100			mA	Option 2 = "H"
	25 ~ 100			mA	Option 2 = "P" or "L"
Storage temperature range	-45		+90	°C	
Enclosure (see drawing) L x W x H	20.7 x 13,1 x 5.1 max. or 20.7 x 13,1 x 7.5 max.			mm	IEC60679-3 CO 02
Packing	Tape & reel				IEC 60286-3
Construction	RoHS/ Lead(Pb) -free				EU directive2002/95/EC
Handling and Testing	In accordance with AXAN-011				www.axtal.com
Processing	In accordance with AXAN-012				www.axtal.com

Notes:

1. Terminology and test conditions are according to IEC standard IEC60679-1, unless otherwise stated
2. All combinations of options might not be available. Please consult factory
3. Depending on frequency and supply voltage
4. Negative slope only available for HCMOS Output version (Option 2 = "H")

Frequency Stability over Temperature

Table 1

Code4	Stability
10	± 10
15	± 15
20	± 20
30	± 30
50	± 50
100	± 100

Table 2

Lower Temperature		Upper Temperature	
Code5	Temp/°C	Code5	Temp/°C
0	0	A	+50
1	-10	B	+60
2	-20	C	+70
3	-30	D	+75
4	-40	E	+80
		F	+85

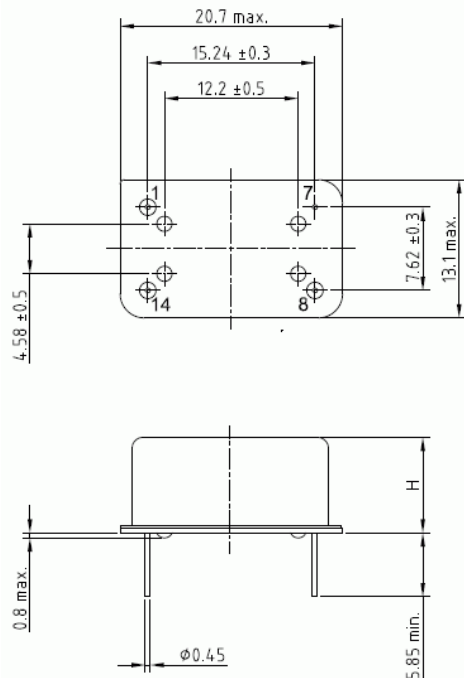
Ordering Code:

Part number	Option 1	Option 2	Option 3	Option 4	Option 5	Option 6
	Supply Voltage	Output	Stability	Temp. range	Pulling range	Pulling slope
AXIS207	5 or 3	S, H, P, L	See tables 1 & 2		5, 10, 15	_ or "N"

All combinations of options might not be available. Please consult factory

Example: AXIS207-5-S-10-2C-5 – 10.000 MHz

Enclosure drawings



Pin connections

Sine wave and HCMOS

Pin #	Symbol	Function
1	VC	Voltage Control (EFC)
2	GND	Ground
3	RF OUT	RF Output
4	VS	Supply Voltage

PECL and LVDS

Pin #	Symbol	Function
1	VC	Voltage Control (EFC)
2	GND	Ground
3	RF OUT	RF Output
4	VS	Supply Voltage
5	CompOut	Complementary Output

