

Specification	AXE1200	Issue: 4.1	Date: 2011-01-29
----------------------	----------------	------------	------------------

Oscillator type : Crystal Oscillator (PXO) 1200 MHz

Parameter	min.	typ.	max.	Unit	Condition
Nominal frequency	1 200			MHz	
Frequency stability				ppm	
Initial tolerance			±1	ppm	@25°C
vs. temperature in operating temperature range			±50	ppm	Steady state
operating temperature range	-30		+85	°C	
vs. supply voltage variation			±0.2	ppm	V _S ±5%
vs. load change			±0.1	ppm	Load ±5%
long term (aging) 1 st year			±2	ppm	@ +25°C
long term (aging) following years			±1	ppm/y	per year @ +25°C
Frequency adjustment range					
Mechanical (internal trimmer)		N.A.		ppm	N.A.
RF output					
Signal waveform	Sine wave				
Load	50			Ω	±10 %
Amplitude	+7			dBm	
Phase noise		-140	-135	dBc/Hz	@ 10 kHz
		-142	-140	dBc/Hz	@ 100 kHz
			-145	dBc/Hz	@ 1 MHz
Start-up time			10	ms	
Supply voltage V_S	14.25	15	15.75	V	
Current consumption (steady state @ +25°C)			50	mA	@25°C
Operable temperature range	-40		+90	°C	
Storage temperature range	-55		+105	°C	
Enclosure (see drawing) (LxWxH)	54 x 40 x 19			mm	h = 2.0
Weight			60	gram	
Packing	bulk				
ESD Sensitivity	1500			V	HBM as in IEC 61000-4-2

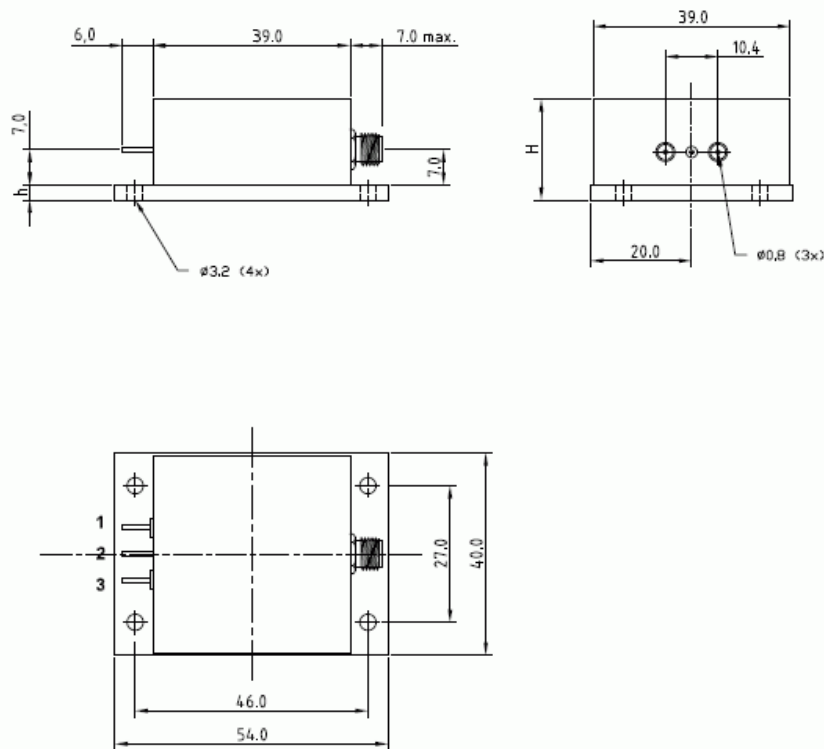
Notes:

1. Terminology and test conditions are according to IEC standard IEC60679-1, unless otherwise stated

Ordering Code:

Model (Specification)	Frequency [MHz]
AXE1200	1200

Enclosure drawing



Pin#	Symbol	Function
1	N.C.	No Connection
2	GND	Ground
3	V _S	Supply Voltage
SMA	RF OUT	RF Output

Environmental conditions

Test	IEC 60068 Part ...	IEC 60679-1 clause ...	Test conditions
Sealing tests (if applicable)	2-17	4.6.2	Gross leak: Test Qc, Fine leak: Test Qk
Solderability Resistance to soldering heat	2-20 2-58	4.6.3	Test Ta (235 ± 5)°C Method 1 Test Tb Method 1A, 5s
Shock*	2-27	4.6.8	Test Ea, 3 x per axes 100g, 6 ms half-sine pulse
Vibration, sinusoidal*	2-6	4.6.7	Test Fc, 30 min per axes, 10 Hz - 55 Hz 0,75mm; 55 Hz - 2 kHz, 10g
Endurance tests - ageing - extended aging		4.7.1 4.7.2	30 days @ 85°C, OCXO @25°C 1000h, 2000h, 8000h @85°C

Revision History

Rev.	Date [dd.mm.yyyy]	Remarks	Author
1	28.07.2005	First issue	BN
2	16.09.2005	Phase noise @ 100 kHz changed	BN
3	30.11.2005	New package drawing	BN
4	25.01.2008	Trimmer option deleted, Phase noise changed	BN
4.1	29.01.2011	Environmental conditions changed. New package drawing with height H and thickness of base plate (h) changed: PCN11012901	BN